



# PDF/IDF Spec 1.0 Report

**Infra WG**

**2018/03**

# Agenda

- What's PDF
- Status
- Phase
- Roadmap

# What's PDF

- Target
  - Lab owners can deploy **any installer** using the **same configuration file**
- History
  - Start from Danube
  - Released at Euphrates
  - Improve at Fraser

**PDF: POD Descriptor File**

# Usage

- Documents in rst
- Wiki page
- Pharos dashboard
- Deployment
- Dynamic CI

# Content

- Lab information
- Hardware information
  - Jumpserver
  - Nodes
    - OOB
    - Nic
    - Disk
    - CPU
    - Memory

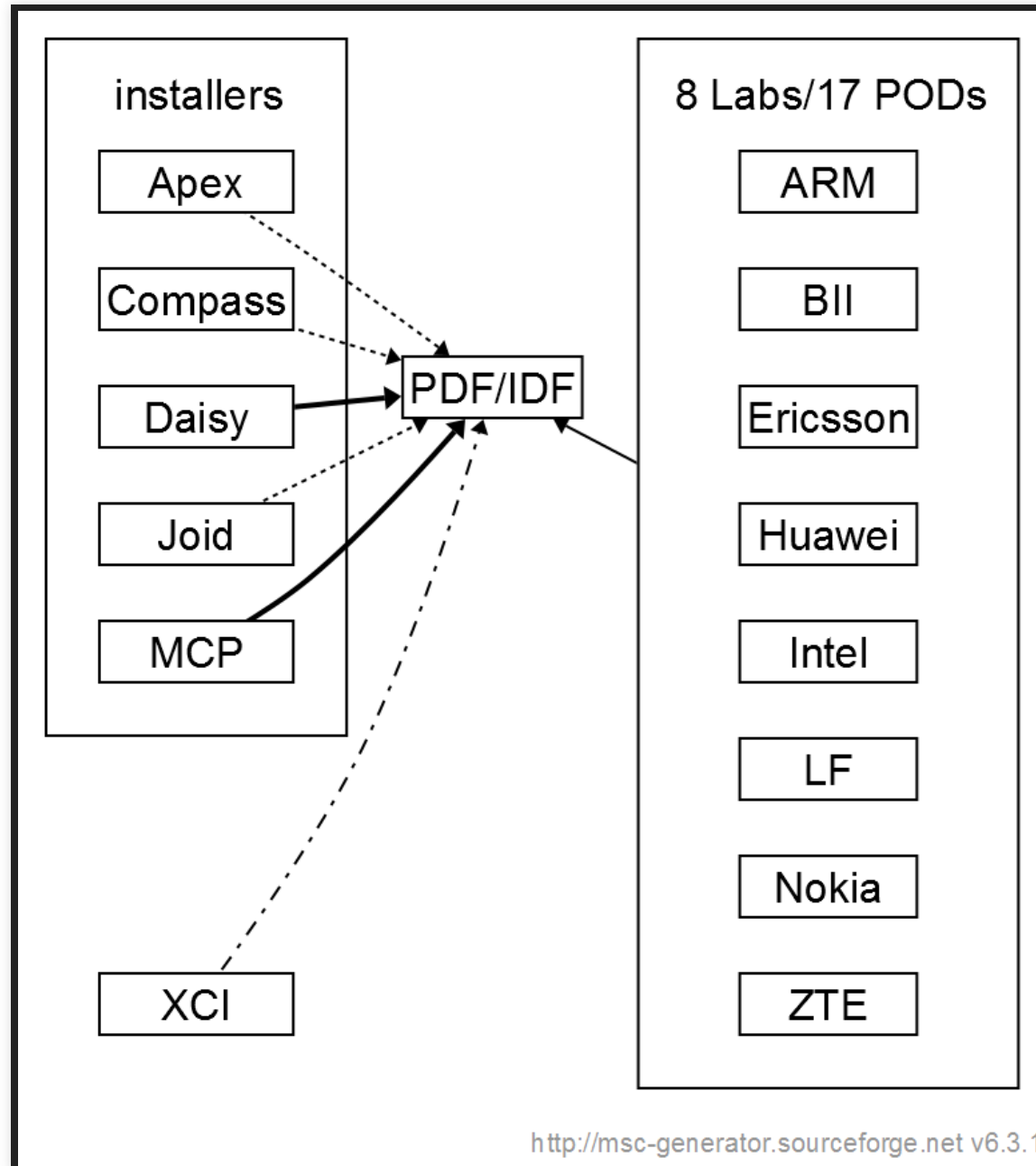
# What's IDF

- Common: network configuration
  - vlan
  - ip address, netmask, gateway
  - dns
  - network and nic sequence
- Installer specific
  - NIC and PCI information
  - Bridge

**IDF: Installer Descriptor File**

# Status - Installers & Labs

- Released:
  - Daisy
  - MCP
- WIP
  - Apex
  - Compass
  - Joid
- LF POD5(trail)
  - MCP(Done)
  - Daisy(WIP)
  - Joid(Waiting)



<http://msc-generator.sourceforge.net> v6.3.1

# Status - Features implemented

- More open  
migrate from *securedlab* to *pharos*
- More secure  
support encrypt data
- Auto verification
  - yaml lint
  - schema verification
  - auto transferring to installer configuration file



# Released Template

- 2 files for each POD
  - lab\_name/pod\$number.yaml
  - lab\_name/idf-pod\$number.yaml
  - location: <https://git.opnfv.org/pharos/tree/labs>
- Template
  - PDF
    - <https://git.opnfv.org/pharos/tree/config/pdf/pod1.yaml>
    - <https://git.opnfv.org/pharos/tree/config/pdf/pod1.encrypted.yaml>
    - <https://git.opnfv.org/pharos/tree/config/pdf/pod1.schema.yaml>
  - IDF
    - <https://git.opnfv.org/pharos/tree/config/pdf/idf-pod1.schema.yaml>

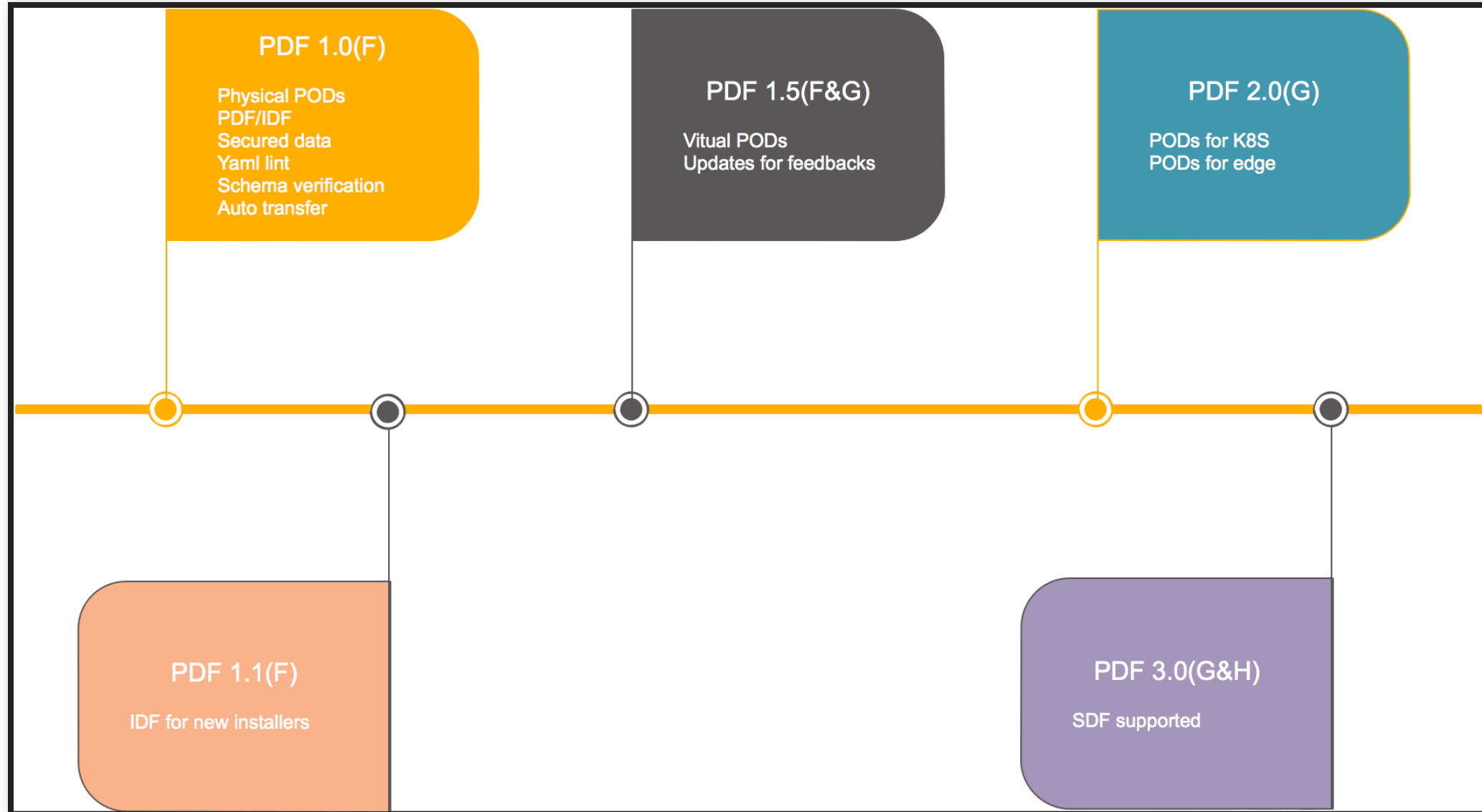
# Phase to achieve dynamic CI

- Stage1: April 15th  
Final date for lab owners to create PDFs for CI resources
- Stage2: June 15th
  - 2.1 Final date for installers to use PDF/IDF for production
  - 2.2 Final date for CI PODs to adapt PDF/IDF
- Stage3: August 15th
  - 3.1 Final date for all community labs to adapt PDF/IDF
  - 3.2 Final date for LaaS to adapt PDF/IDF
- Stage4: August 30th  
Final date for CI to switch to dynamic POD allocation
  - Daily deployments/testing on baremetal
  - Share resources for all the installers

# Ask from TSC to approve

- TSC to approve to release PDF spec 1.0
- TSC to approve the first three stages

# PDF/IDF Roadmap





Thank you