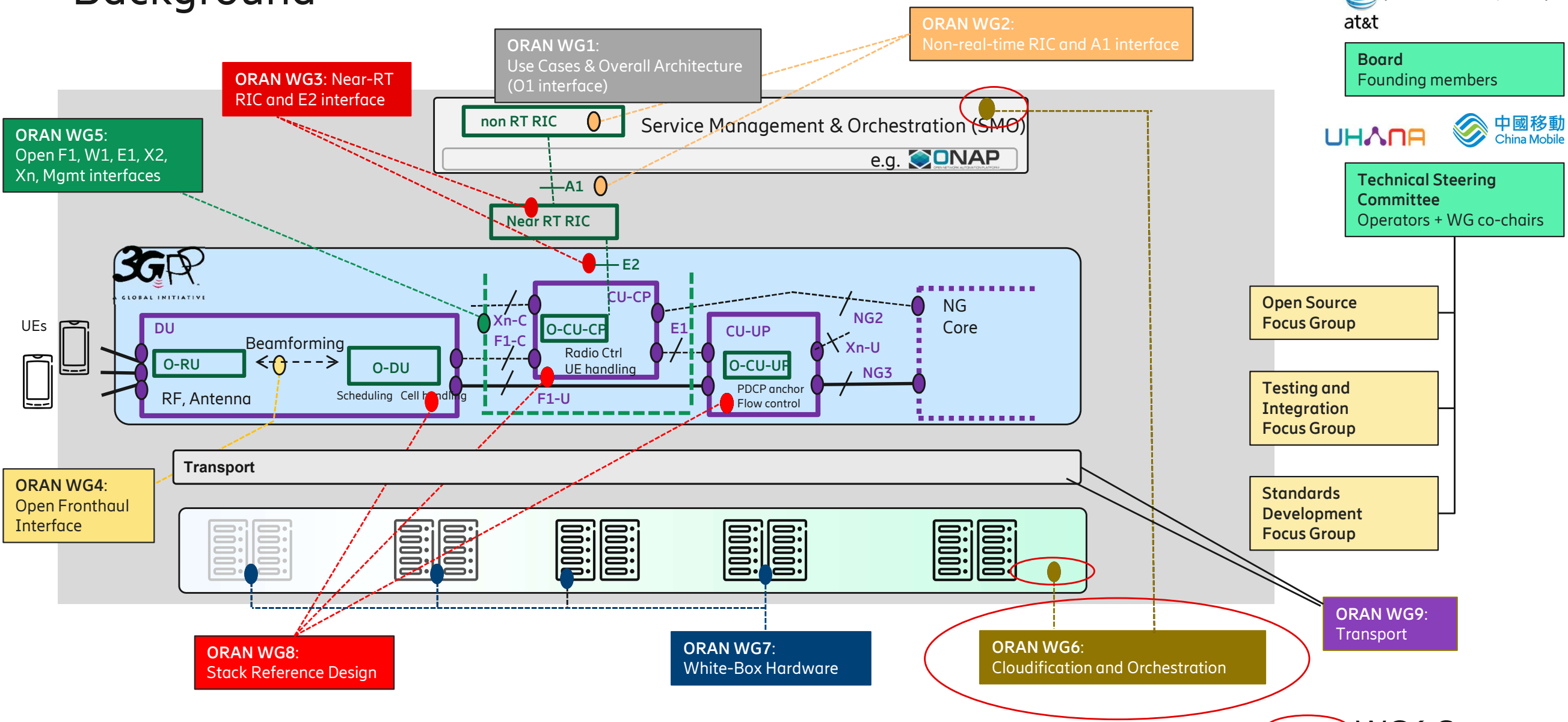




O-RAN Cloud O2-IMS standardization alignment/cooperation possibility?

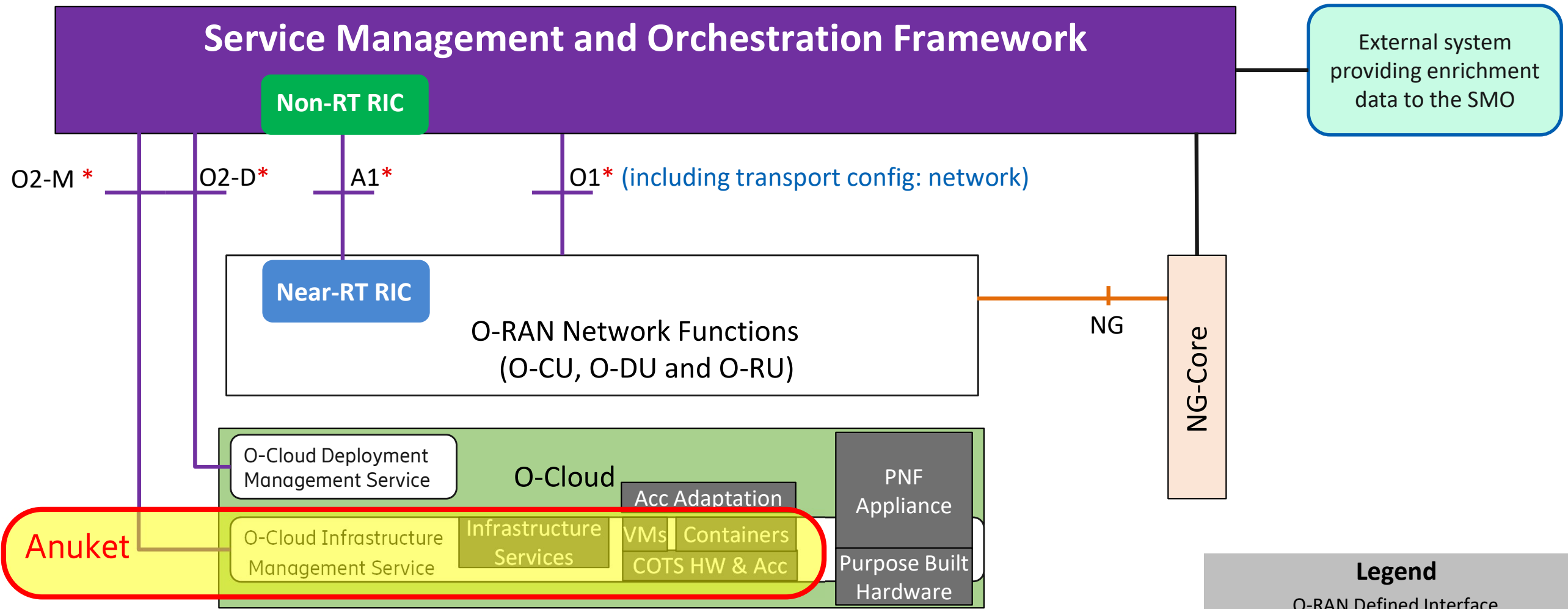
O-RAN Work Groups

Background



WG6 Scope

O2 Interface capabilities in O-RAN for CNF/VNF/PNF



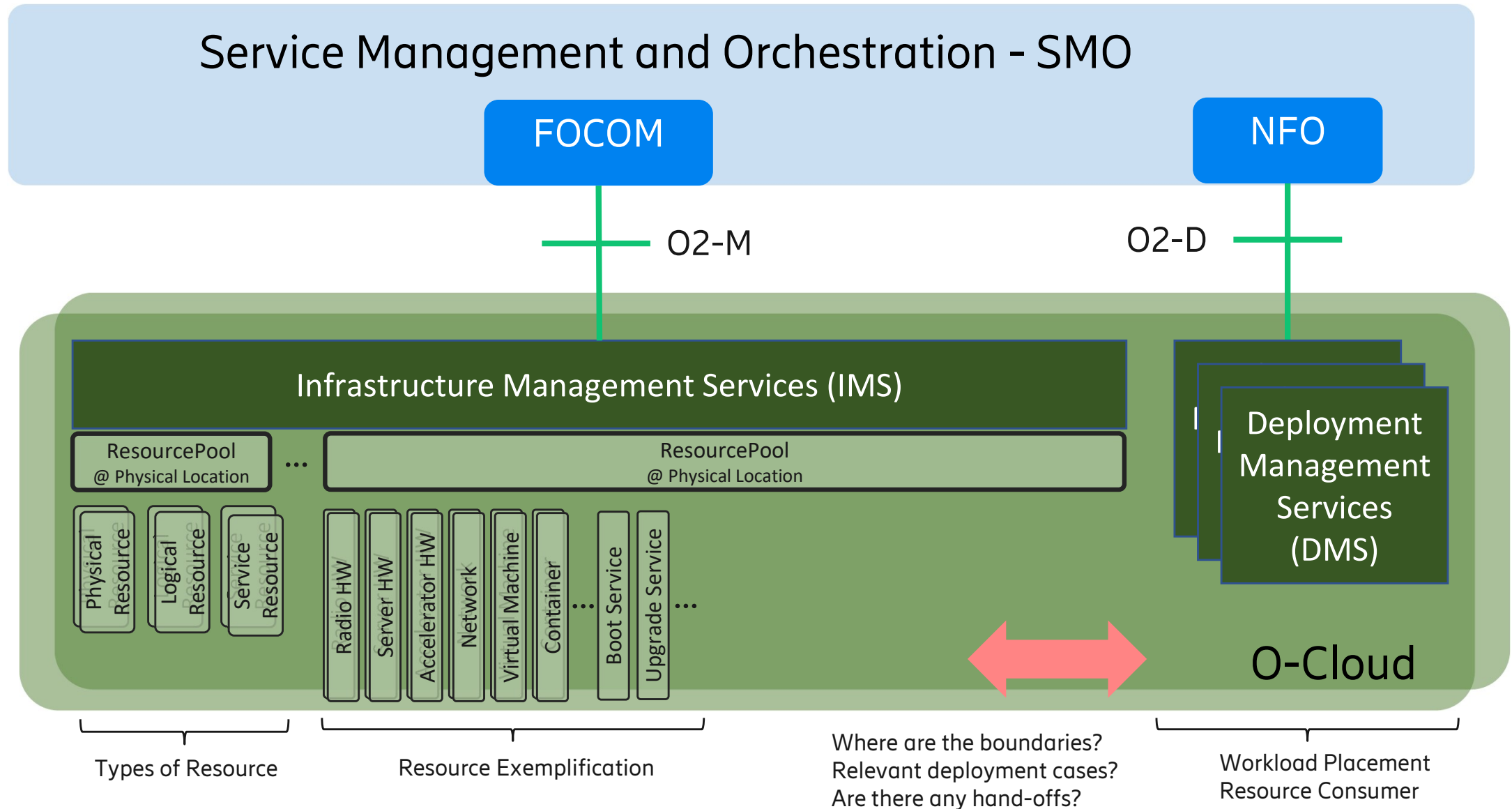
*Support Multiple Endpoints

Legend

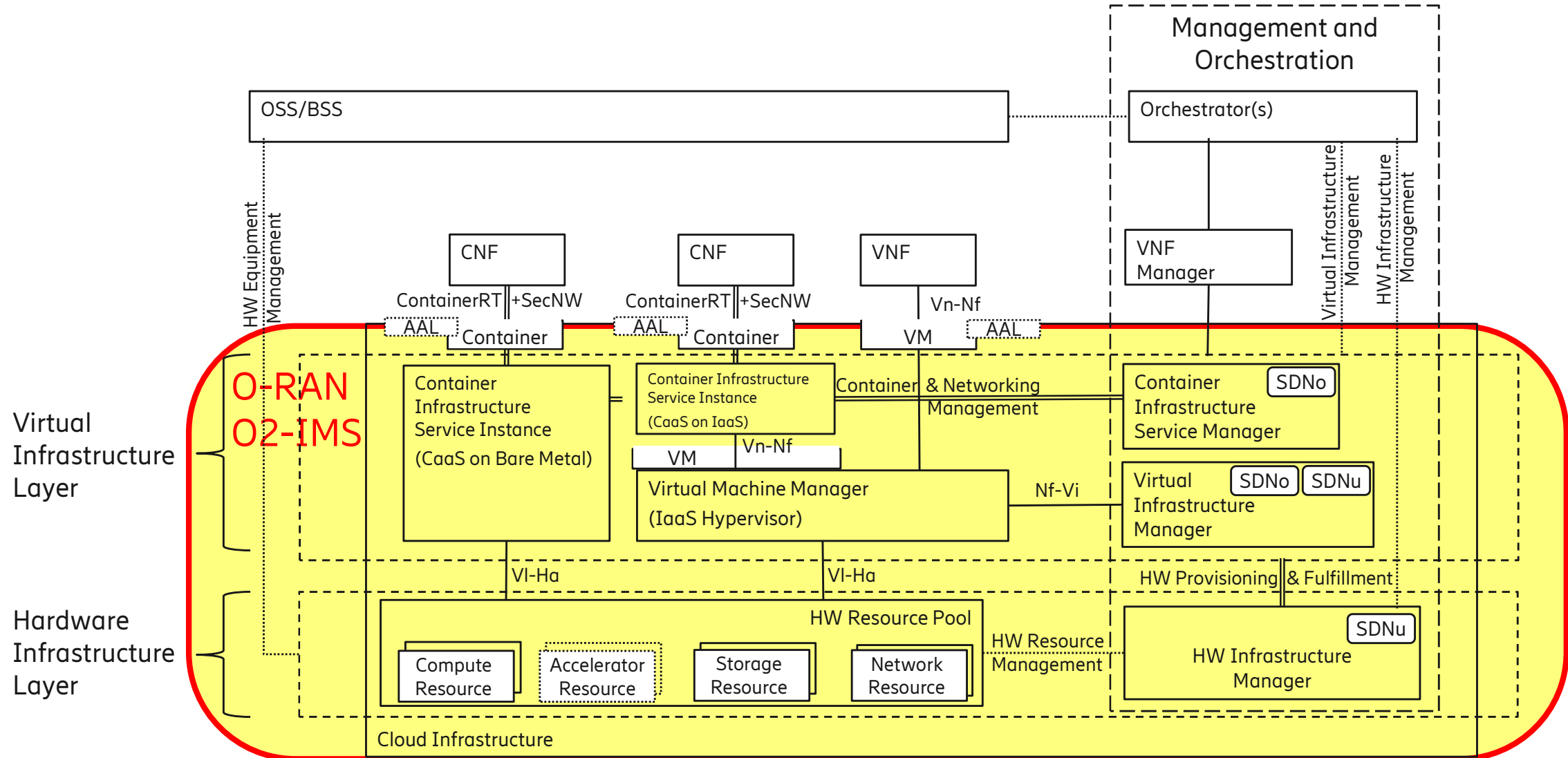
- O-RAN Defined Interface
- 3GPP Defined Interface
- Interface out of scope for O-RAN

O-RAN : O2 Endpoints in SMO and O-Cloud hierarchy

Background



CNTT Networking Reference Model



Telco Cloud Standardization and OpenSource landscape

- Viewed from a Cloud Infrastructure Vendor participant in Anuket and O-RAN

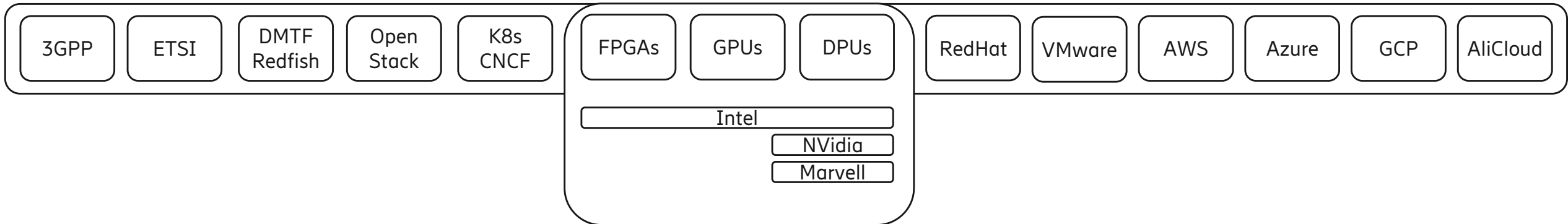


Anuket

Cloud Infrastructure and Application Industrialization Requirements - Core centric
Focus: Reference Model, Architectures and Conformance
Long term target Telco & Enterprise Apps from all types of distributed MultiClouds

O-RAN

E2E Open Radio Cloudification Requirements – Radio centric
Focus: Radio, E2E use Cases, Distribution, Orchestration, Acceleration
Long term target Telco & Enterprise Apps from all types of distributed MultiClouds



Telco Vendors

